

Installation Guide
for
BLC-015 V2.2 Lock Controller
w/Battery charger

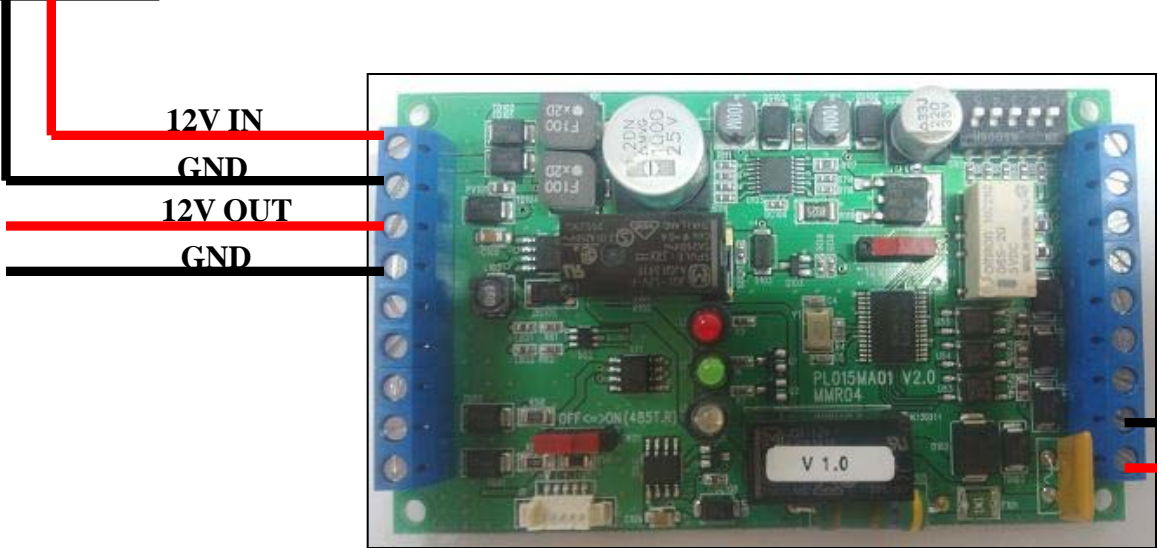


June.01.2015
HSD TEAM
Union Community Co., Ltd.

1. Power Connection



DC 12V 2.5A
Power Adapter



12V IN

GND

12V OUT

GND

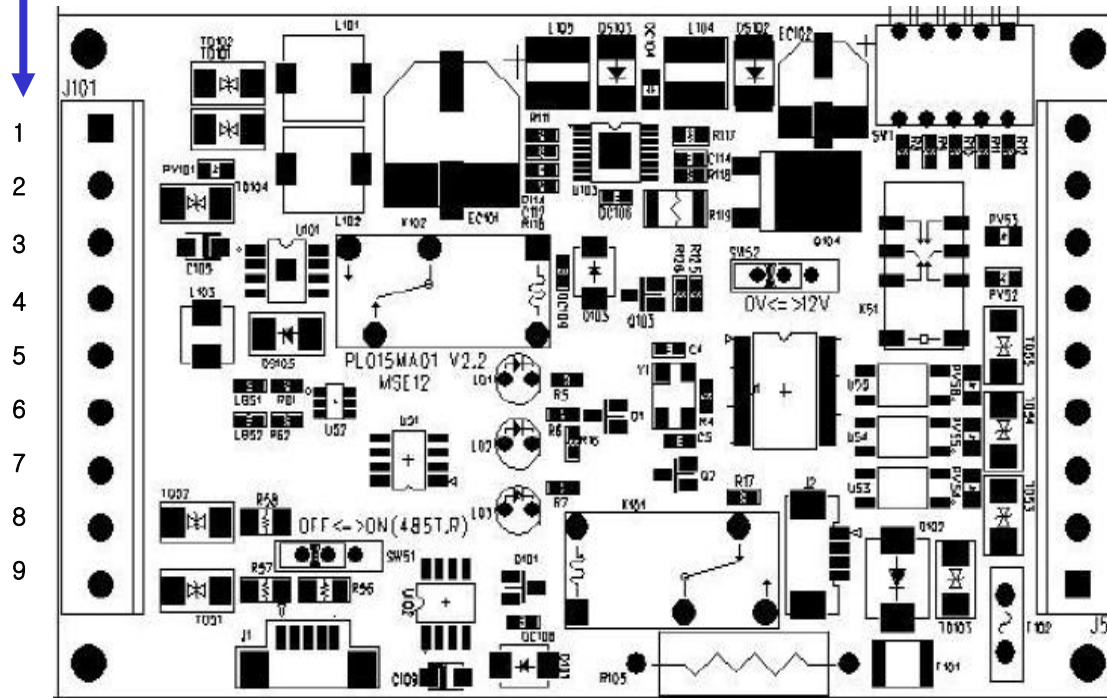
BAT(-)

BAT(+)

Backup Battery
Interface

2. Board Feature & Connector Description

J101 12V In / 12V Out / Wiegand/ RS-485



J101

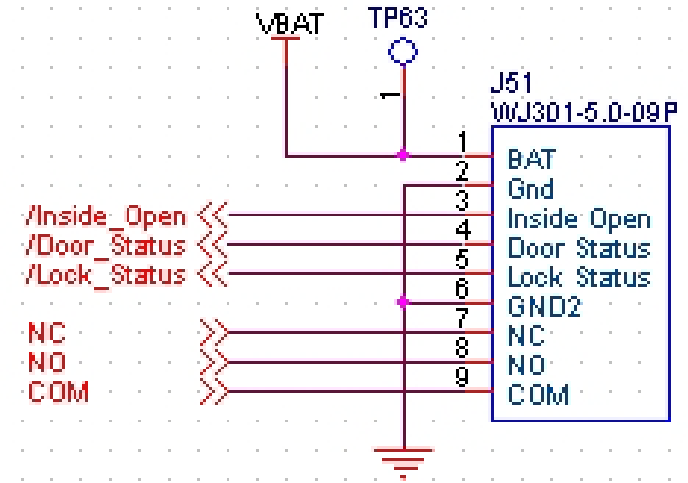
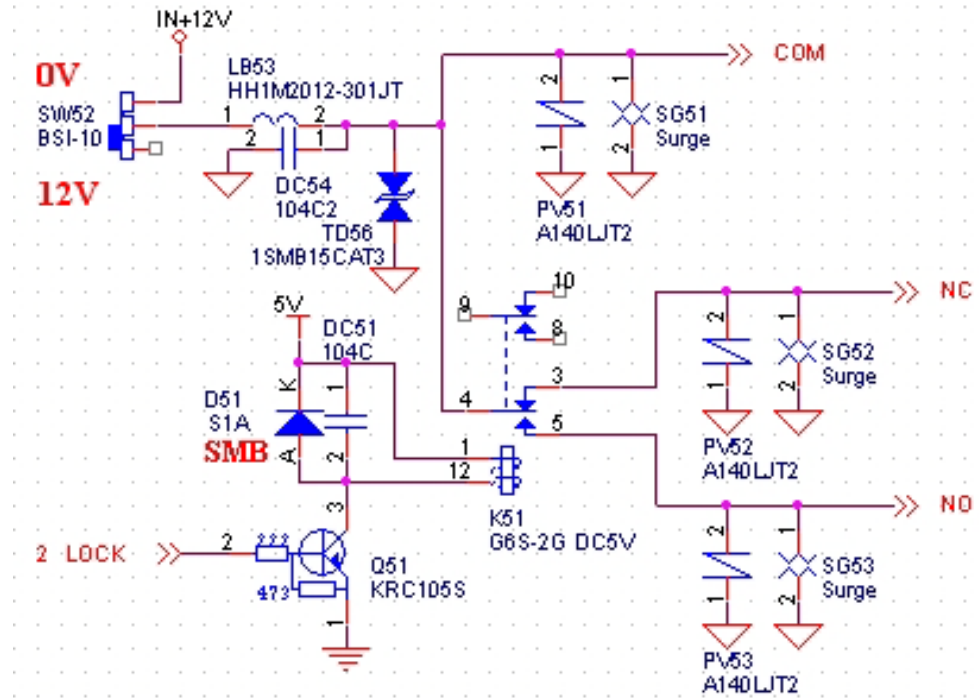
- 1 [12V IN] : 12V Power Input
- 2 [GND] : Ground
- 3 [12V OUT] : 12V Power Out
- 4 [GND] : Ground
- 5 [Wie IN0] : Wiegand IN0
- 6 [Wie IN1] : Wiegand IN1
- 7 [GND] : Ground
- 8 [485-A] : RS-485A
- 9 [485-B] : RS-485B

J51

- 9 [COM] : Common
- 8 [NO] : Normal Open
- 7 [NC] : Normal Close
- 6 [GND] : Ground
- 5 [IN2] : Lock Status
- 4 [IN1] : Door Status
- 3 [IN0] : Inside Open
- 2 [GND] : Battery(-)
- 1 [12V BAT] : Battery(+)

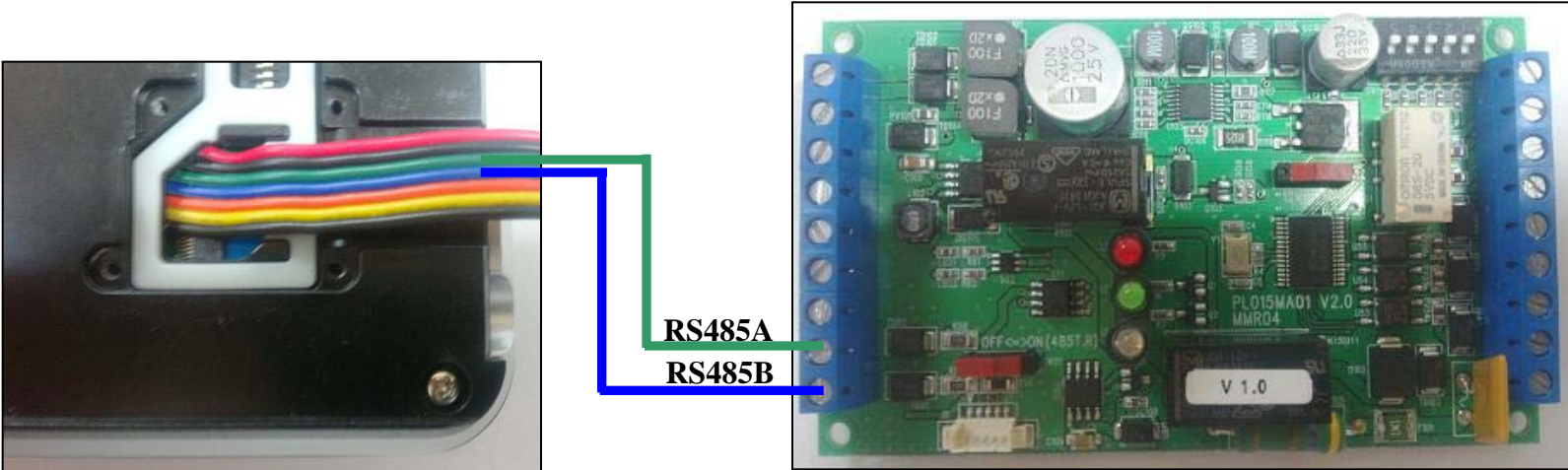
J51 Battery IN / Input Port / Lock Control

3. Schematic for Door Lock Interface



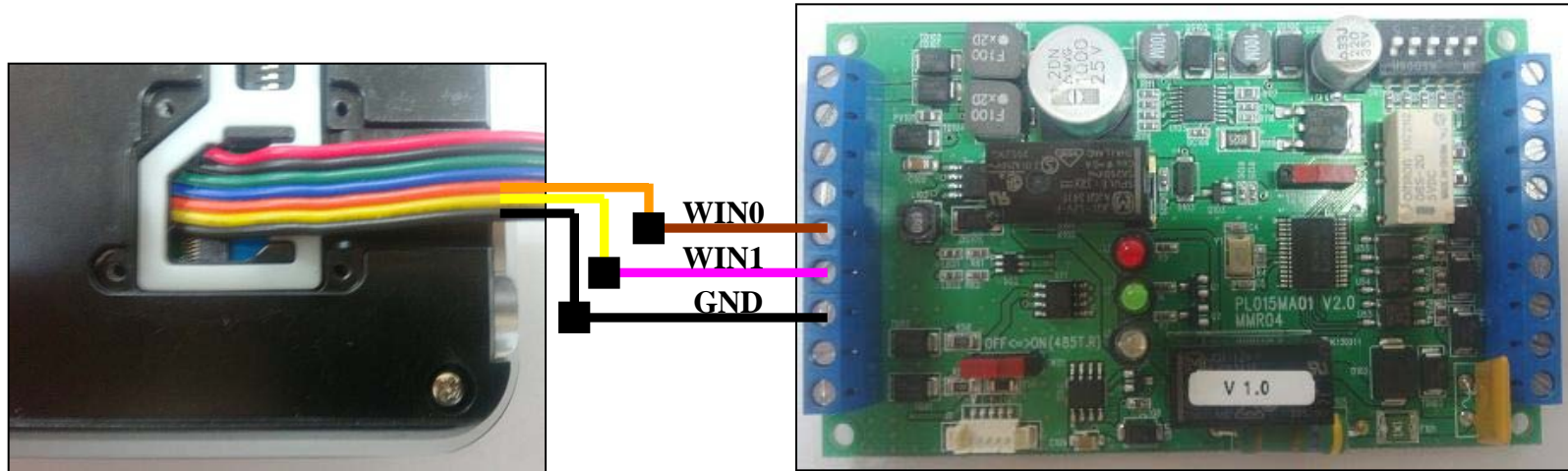
4. Connecting RS-485 Interface

◆ RS-485 Interface



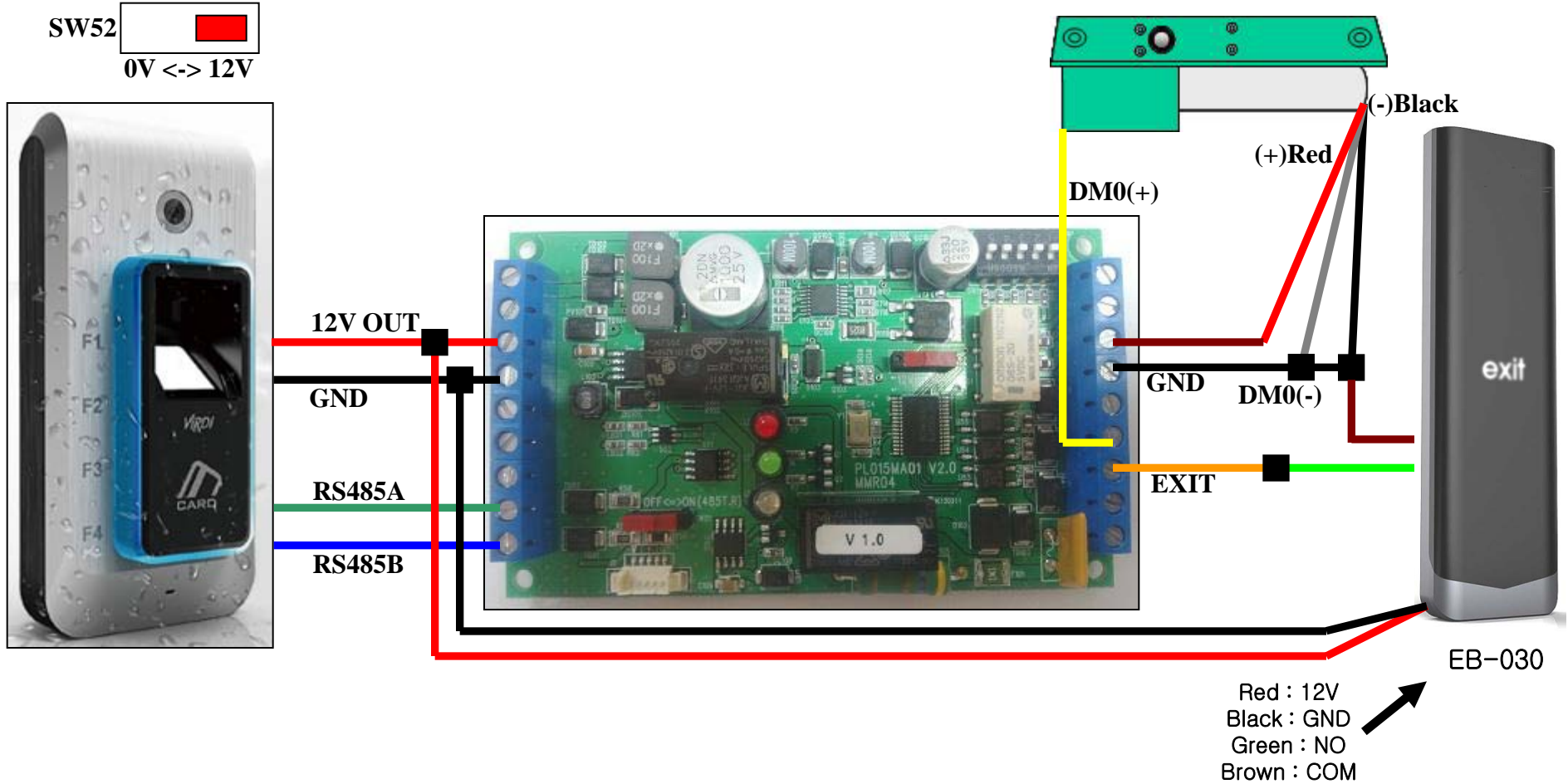
5. Connecting Wiegand Interface

◆ Wiegand Interface



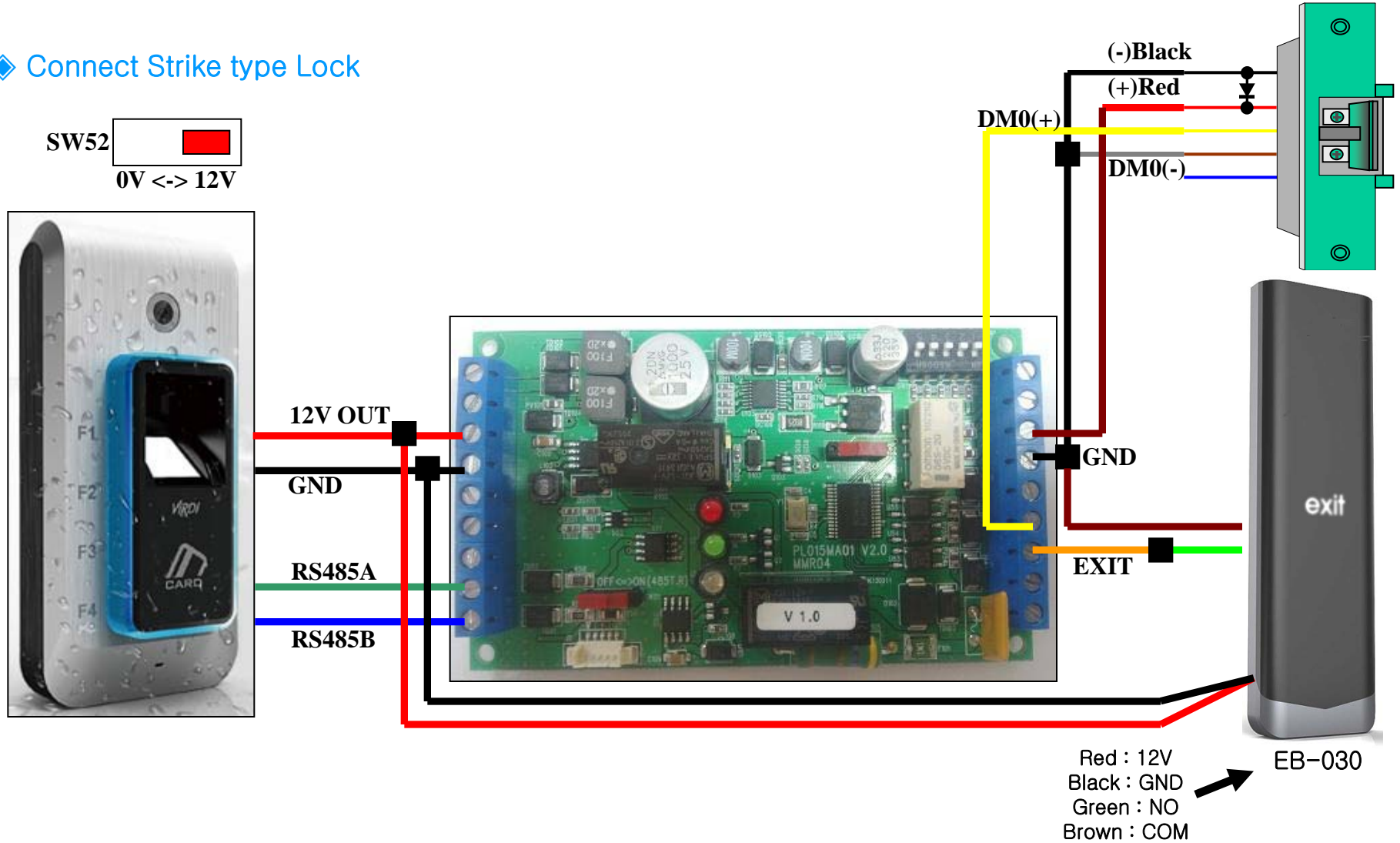
6. Connecting Dead-Bolt Type Door Lock (Fail Safe)

◆ Connect Dead-Bolt Lock




7. Connecting Strike Type Door Lock (Fail Safe)

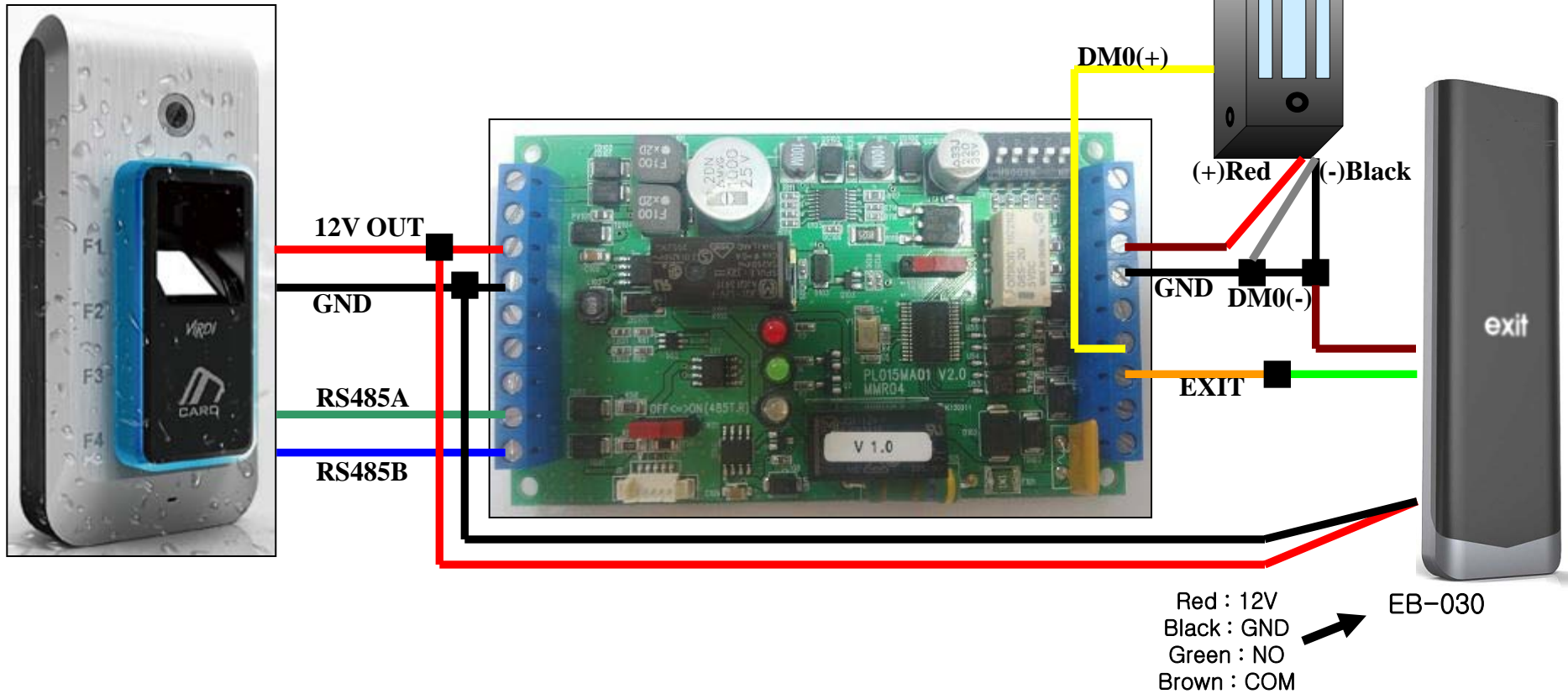
◆ Connect Strike type Lock



8. Connecting EM Type Door Lock (Fail Safe)

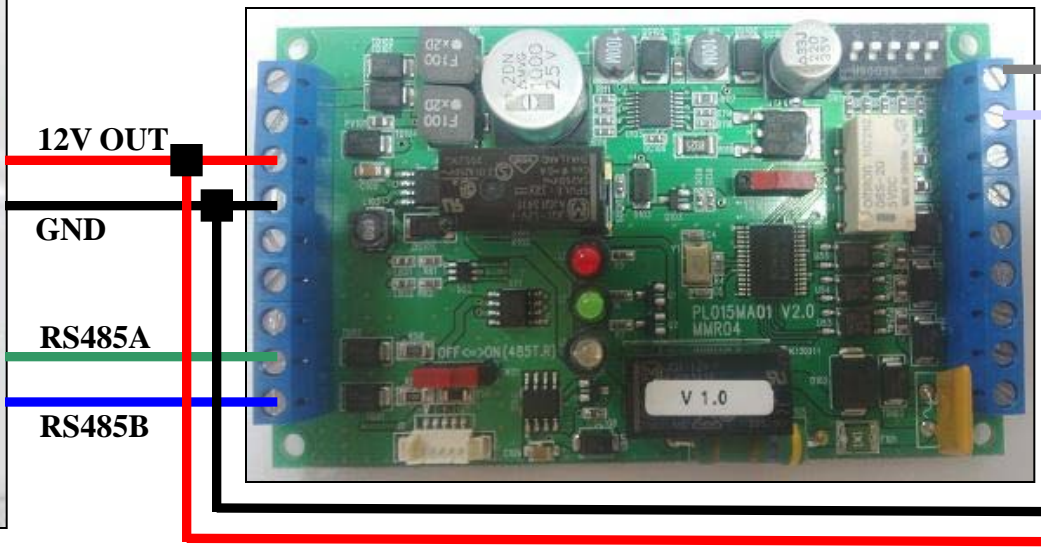
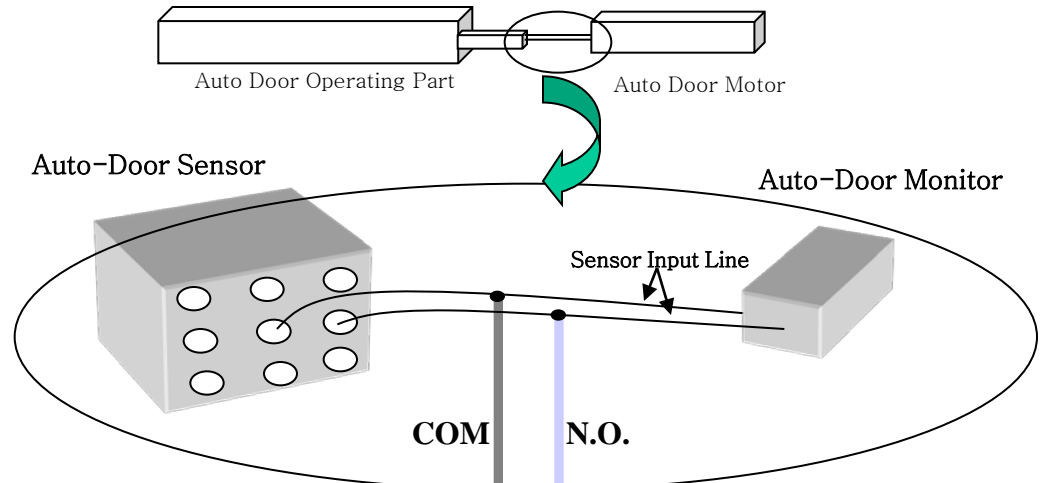
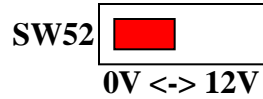
◆ Connect EM Lock

SW52 
0V <-> 12V



9. Connecting Auto-Door (Contact Control)

◆ Connect Auto-Door Lock

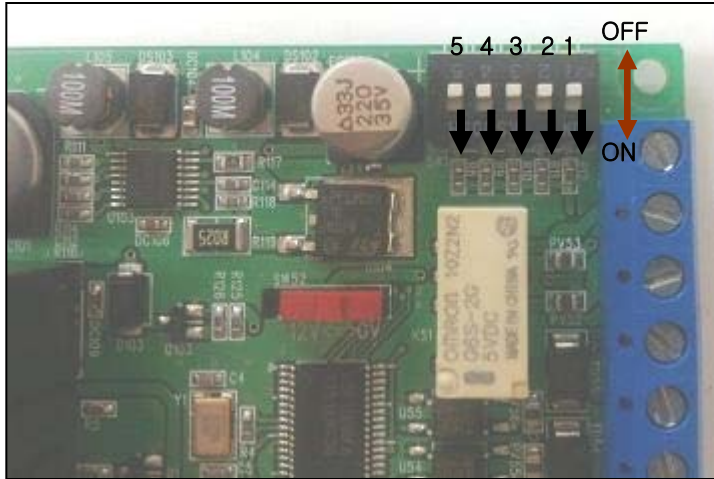


Red : 12V
Black : GND
Green : NO
Brown : COM

EB-030

10. RS-485 ID & Open duration Setting

◆ SW1 Switch Feature



◆ RS-485 ID Setting

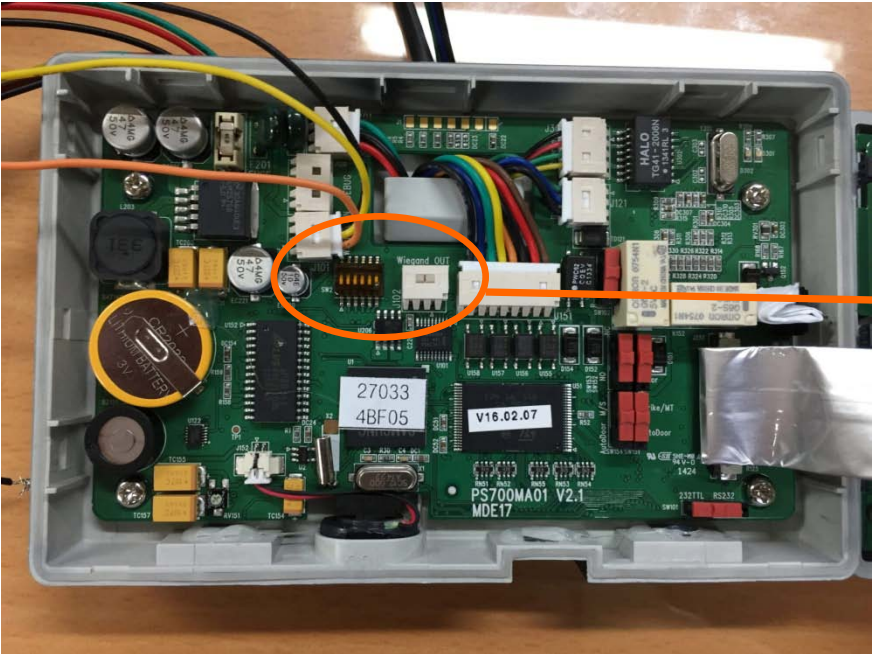
RS485 ID	SW1	
	1	2
0	OFF	OFF
1	OFF	ON
2	ON	OFF
3	ON	ON

◆ Lock Open Duration Setting

Open Time (sec)	SW1		
	3	4	5
0.2	OFF	OFF	OFF
0.5	OFF	OFF	ON
1	OFF	ON	OFF
1.5	OFF	ON	ON
2	ON	OFF	OFF
3	ON	OFF	ON
4	ON	ON	OFF
5	ON	ON	ON

11. Connecting AC-1000(Exception)

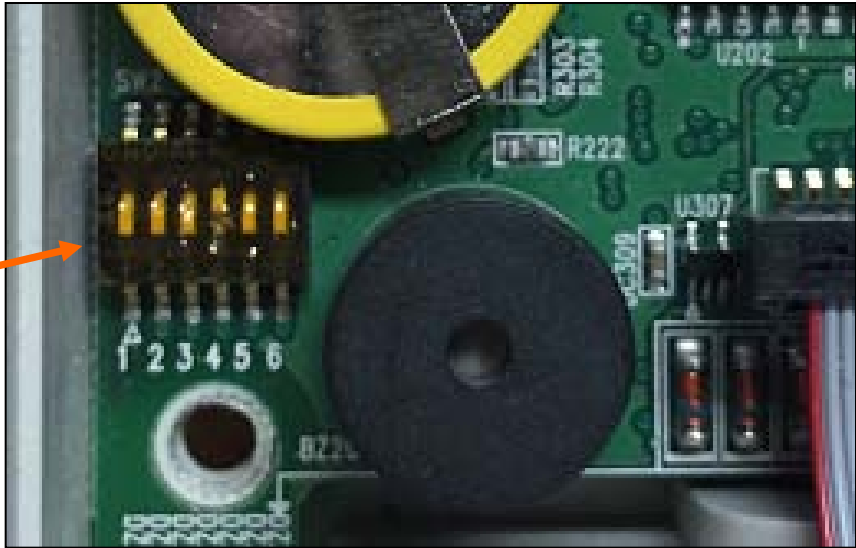
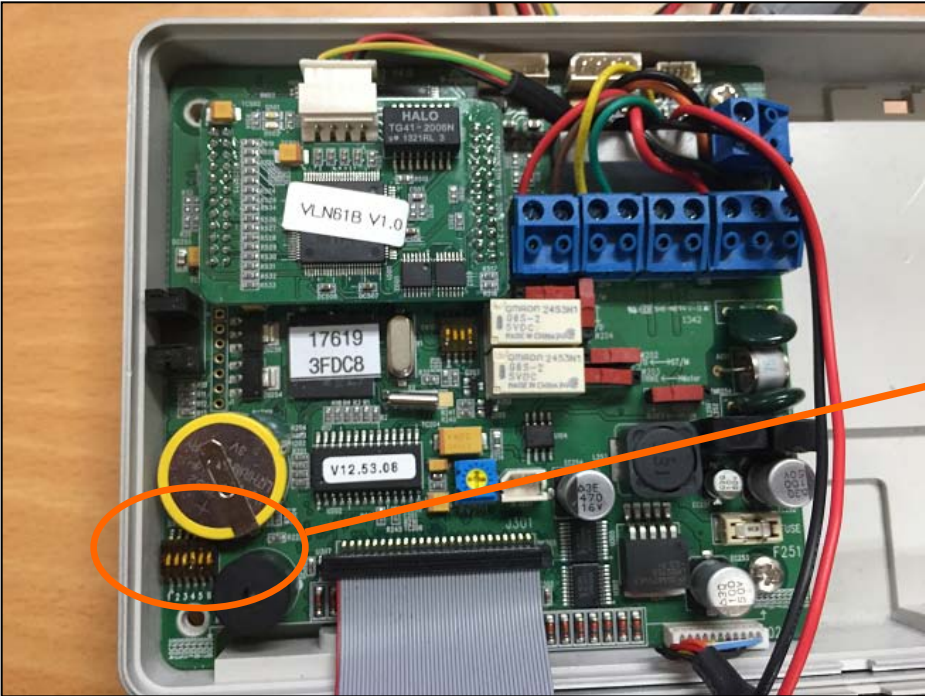
◆ AC-1000 Dip S/W Setting



No.6 Pin ON

12. Connecting VIRDI-4000(Exception)

◆ VIRDI-4000 Dip S/W Setting



No.4 Pin ON