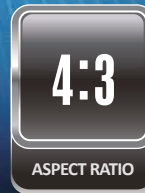


**LED**

**PREMIUM LED BLU**



**9REDC**

BUILT TO RUN 24 X 7 X 365 CONTINUOUSLY

**OVERVIEW**

Orion's high brightness, RED Premium displays driven by LED Backlight Units (BLU) offer a truly professional experience by utilizing next generation technology and eco-friendly material (no mercury or halogen). With a color gamut of 123%, the LED BLU technology exceeds the NTSC color gamut standard of 100% and showcases deep blacks and vivid colors.

**FEATURES**

- Metal Chassis
- LED BLU (Backlight Unit) Display Monitor
- 350cd/m<sup>2</sup> High Brightness
- 1024 x 768 at 75Hz Maximum Resolution
- 3D Motion Adaptive DeInterlace, Noise Reduction Technology
- BNC Video 1 In / 1 Out, HDMI 1 In, VGA in, PC Stereo 1 In
- Wall and Rack Mount Kits Available



### SPECIFICATIONS

9REDC	
<b>Display</b>	
Screen Size	9.7 Inch
Max. Resolution	1024 x 768 @ 75Hz
Pixel Pitch	0.192 x 0.192mm
Brightness	350cd/m <sup>2</sup>
Contrast Ratio	1000 : 1
Aspect Ratio	4 : 3
Viewing Angle (H/V)	178° / 178°
Display Color	16.7 million
Response Time	< 15ms
Video System	NTSC / PAL
<b>Interface</b>	
Video In / Out (BNC Type)	1 In / 1 Out
S-Video In	N/A
Component	N/A
HDMI In	1 In
VGA In (15Pin D-Sub)	1 In
Audio In (RCA Type)	N/A
PC Stereo In	1 In
<b>Transmitter</b>	
Remote Control	Yes
<b>Audio</b>	
Built-in Speakers	Yes (2W x 2)
<b>Features</b>	
Filter Type	3D Adaptive Deinterlacer
3D Motion Adaptive De-Interlace	Yes
Noise Reduction Control (NR)	Yes
LCD Protection Glass	Acrylic
Multi Language	English, Spanish, French, German, Italian
<b>General</b>	
Outline Dimension (W x H x D)	9.17" x 7.63" x 1.53"
Net Weight	1.5 Kg (3.3 lbs)
Material / Color	Metal / Black
Desk Top Stand	Kick Type
Warranty	3 Years Parts and Labor
Consumption: < On	< 12W
	AC100 ~ 240V(50/60Hz)
Electrical Ratings	DC 12V / 3A
Operating Temperature	0° ~ 40° C / 32° ~ 104° F
Storage Temperature	-10° ~ 50° C / -4° ~ 140° F
<b>Mounts</b>	
VESA™ Mount Size	75 x 75mm
Wall	WB-5, WB-10, WB-30
Ceiling	CMK-01
Rack	RMK-08

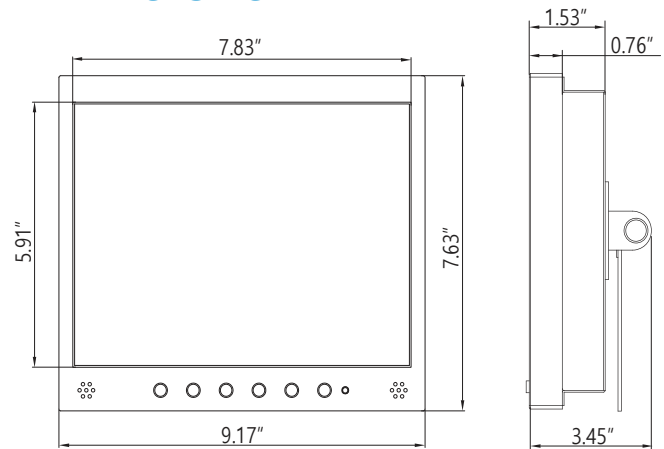
\*Design and specifications are subject to change without notice

### INPUT INTERFACE



- 1 Video 1 In / Out
- 2 PC Stereo In
- 3 VGA In
- 4 HDMI In
- 5 DC 12V

### DIMENSIONS



### ADVANTAGES

#### 3D Adaptive Deinterlace

In signal processing, a comb filter adds a delayed version of a signal to itself, causing constructive and destructive interference. The frequency response of a comb filter consists of a series of regularly-spaced spikes, giving the appearance of a comb.



Before 3D Adaptive Deinterlace



After 3D Adaptive Deinterlace

### OPTIONAL MOUNTS

